

ADKIT(V1.0)



Main Features

- ◆ Built-in AI computing center
- ◆ ADAS (Advanced Driver-Assistance Systems)
- ◆ DSM (Driver Status Monitoring)
- ◆ R-Watch (Driver Alert Device)
- ◆ MP3 Audio Alert

Overview

Streamax ADKIT V1.0 is a dedicated design AI computing center for ADAS(Advanced Driving Assistant System) and DSM(Driver Status Monitoring) system. Real-time alert sending out from the R-watch creates an active safety system for the driver. With limited configurations and cable connections, this active safety system is ready to go. Furthermore, a closed-loop evidence chain for fleet management can be created by using Streamax MDVR and telematics. Build-in with artificial intelligence algorithm provides accurate and rapid active safety detection ability. This powerful system could be applied in various vehicles, such as taxi, public bus, school bus, coach, truck, tipper.....

These active safety functions for road danger and driver status are:

FDW	Fatigue Driving Warning	
HPW	Head Phone Warning	
DSW	Driver Smoking Warning	
DDW	Driver Distraction Warning	
NDW	No Driver Warning	

FCW	Forward Collision Warning	
HMW	Headway Monitoring Warning	
LDW	Lane Departure Warning	
PCW	Pedestrian Collision Warning	

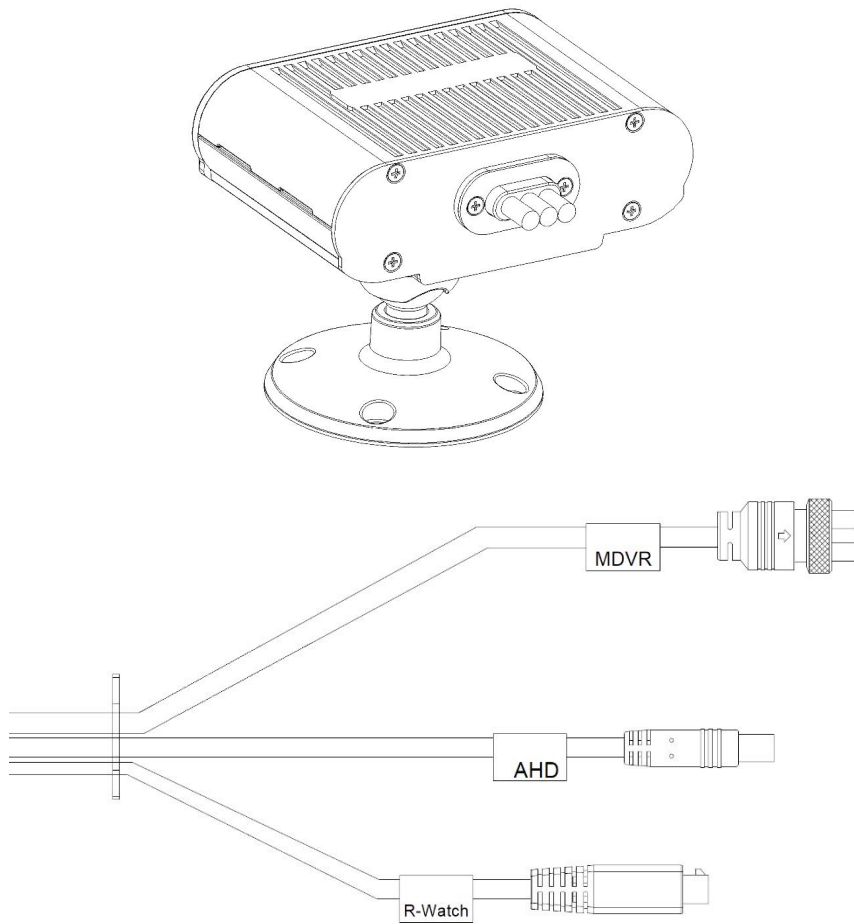
System Diagram



Specification

Model		ADKIT V1.0	
Image Sensor	Lens	6mm M12	
	Sensor	1/3" 1.3M Pixel CMOS	
	Shutter	Manual	1/60s to 1/5000s
		Auto	1/60s to 1/10000s
	S/N	≥45dB	
Minimum Illumination	0Lux		
IR	1.2 meters		
Speaker	86dbm@ 10cm		
Interface	Network	PON	
	External Camera	Mini DIN connector(4-PIN), AHD 1080P@30fps Max	
	R-watch	RS485	
Power	Input	PON interface DC7-15V	
	Consumption	≤ 7 W(without ADAS cam)	
	Supply Current	5A, Max	
Others	Dimension	105 x 89 x 60mm (W x H x D)	
	Weight	450g	
	Working Temperature	-30°C - +70°C	
	Working Humidity	20% - 90%RH	

Interface



No	Items
MDVR	6-PIN LAN port to MDVR (IPC port)
AHD	4-pin BMW connector for ADAS Cam
R-Watch	R-watch RS485 port

Connection Diagram

