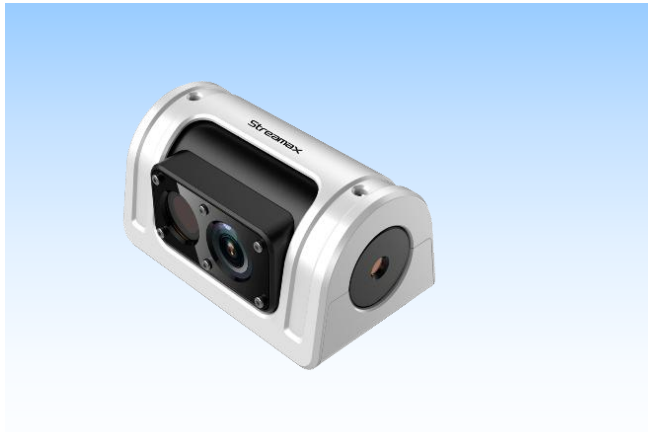


# Mini Camera C24



## Main Features

- ◆ 1/2.8" Sony 2.13M pixels CMOS
- ◆ Resolution: 1080P@30fps
- ◆ Lens 2.8 \ 3.6 mm optional
- ◆ IR distance: 10~15m
- ◆ Compact size, light weight

## Overview

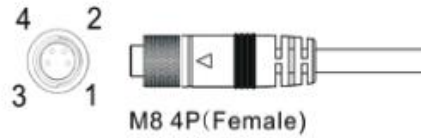
Streamax mini camera C24 housing is made of metal and built to survive in rugged and vandal susceptible environments. Vibration and thermal tested, the powerful camera is an excellent choice for various mobile environments. Utilizing the Sony CMOS imaging sensor, it provides outstanding image quality in both day and night lighting conditions.

## Specification

Sensor	1/2.8" Sony 2.13M pixels CMOS
Resolution	1920*1080
Minimum illumination	0LUX (IR on)
S/N	≥50dB
Sync system	Inter-sync
Scanning system	Progressive scanning
Lens	2.8/3.6mm optional
Electronic shutter	Auto
White balance mode	Auto
Color to black	External synchronization control
Gamma correction	0.55
IR distance	10m-15m ( LED*1)
Video output	AHD coaxial HD standard, 4-pin DIN JACK
Power	DC12V± 10%
Consumption(Max.)	230mA/DC12V(IR on)
Working temperature	-20°C ~ +55°C

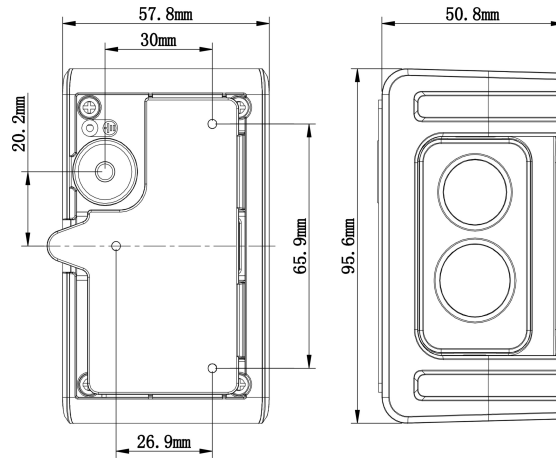
**Video Output**

DIN JACK



- 1 — NC
- 2 — 12GND(-)
- 3 — 12VDC(+)
- 4 — AHD VIDEO

**Dimension (Unit: mm)**



**Solution Reference**

